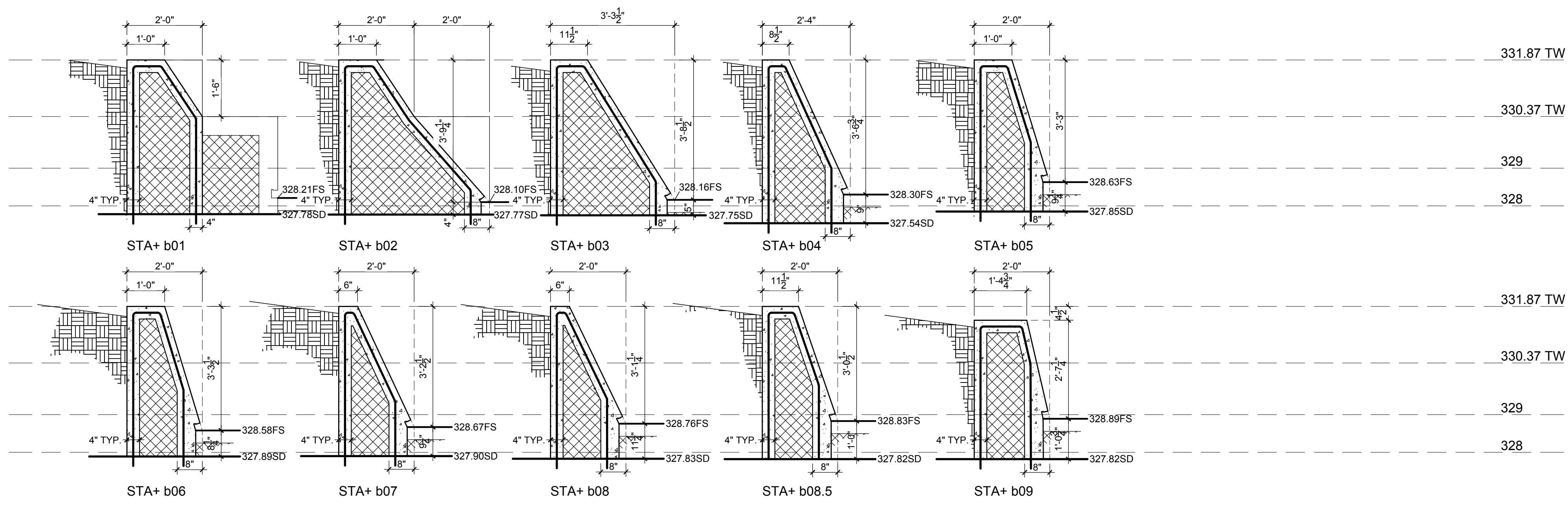
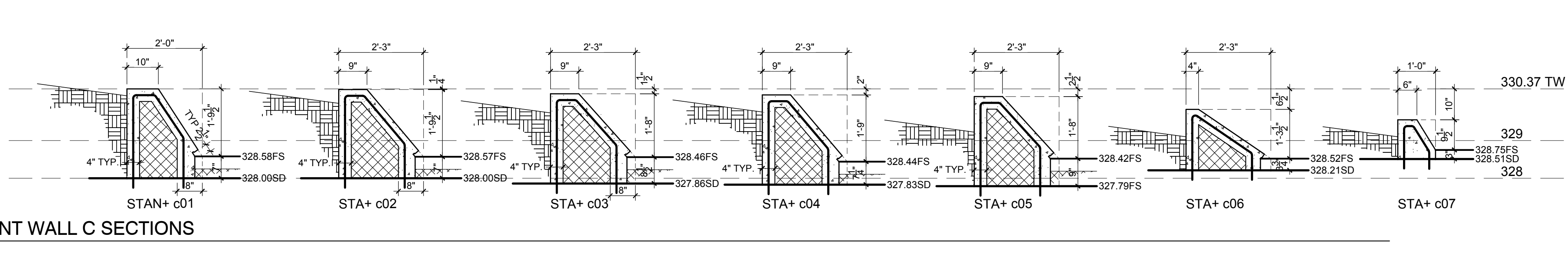


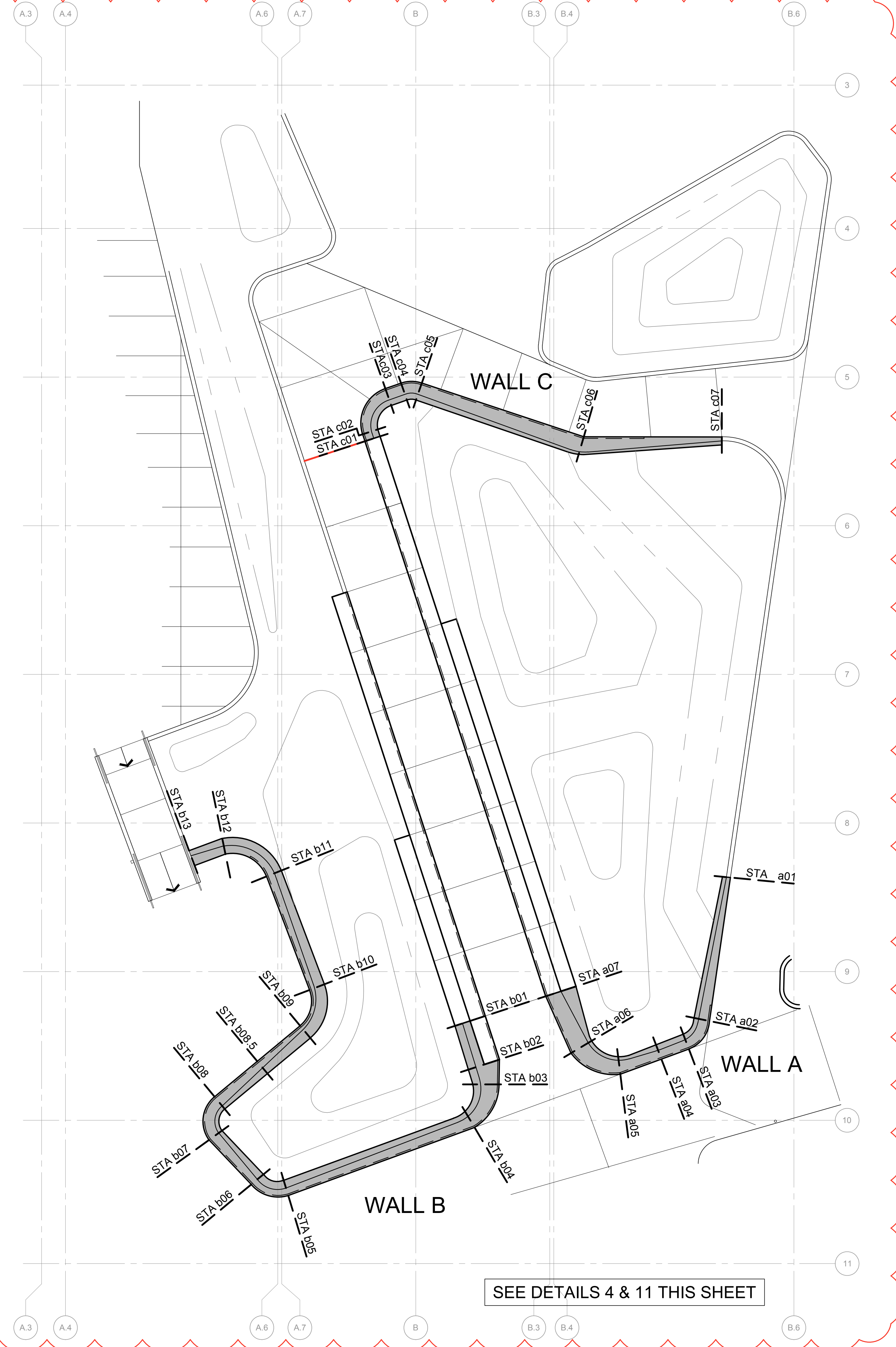
ACCENT WALL A SECTIONS



ACCENT WALL B SECTIONS

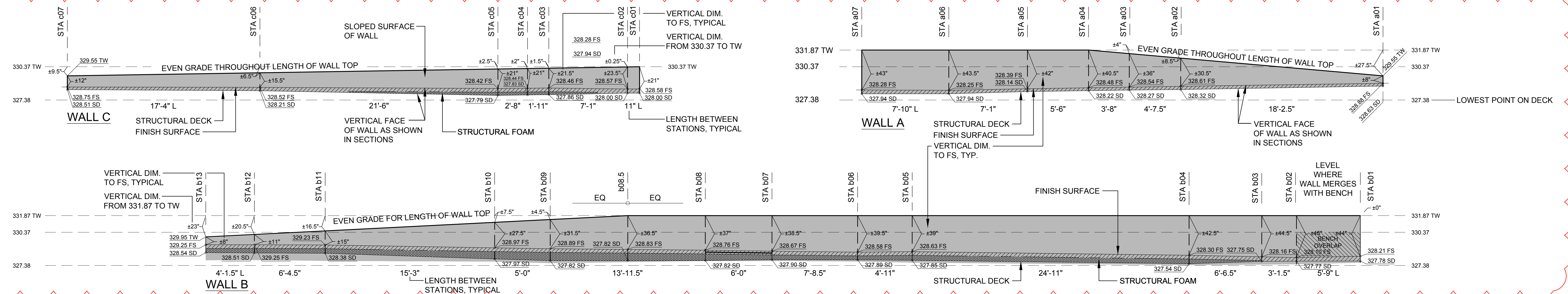


ACCENT WALL C SECTIONS



SERPENTINE ACCENT WALL SECTIONS SCALE 1/2" = 1'-0" 11

SERPENTINE ACCENT WALL SECTION DIAGRAM SCALE 1/8" = 1'-0" 3



SERPENTINE WALL ELEVATIONS SCALE 1/4" = 1'-0" 4

ISSUE RECORD

KEY PLAN

SCALE

TITLE

CONCRETE DETAILS

SHEET